

- Long established and well-proven valves
- Compact size
- Normally closed and normally open models
- May also be used as 2/2 valves

3/2 Poppet Valves Mechanically Actuated G¹/₈



Technical Data

Medium:

Compressed air, filtered, lubricated and non-lubricated or hydraulic fluid

Operation:

Poppet valves, directly actuated

Mounting:

Through-holes in valve body

Port Size:

G¹/₈

Operating Pressure:

2 - 10 bar

Flow (to CETOP RP50P):

'C' - Conductance dm³/s/bar 0,66 S/666/40

'b' - Critical pressure ratio 0,29 S/666/40

Cv 0,20 S/666/40

'C' - Conductance dm³/s/bar 0,66 S/667/40

'b' - Critical pressure ratio 0,15 S/667/40

Cv 0,18 S/667/40

Operating Temperature:

-20°C* to +80°C

*Consult our Technical Service for use below +2°C

Materials

Diecast zinc alloy body, plastic piston, nitrile rubber seals.

Ordering Information

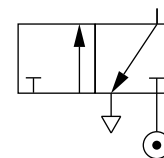
To order, quote model number from table overleaf, e.g. S/666/8 for the Roller Actuated, Spring Return normally closed model.

Alternative Models

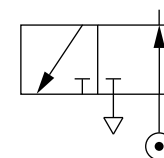
Other operator types for the S/666 and S/667 ranges of valves are also available:

Section 5.5. - Pressure operated models

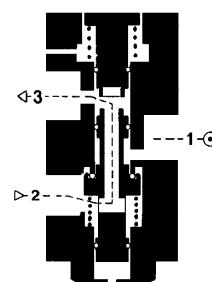
Section 5.7. - Manually operated models



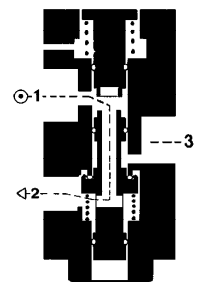
S/666



S/667



S/666



S/667



General Information

Model	Type	Operator	Return	Weight (kg)	Spares kit
S/666/14	Normally closed	Plunger	Spring	0,20	QS/666/1/00
S/667/14	Normally open	Plunger	Spring	0,20	QS/667/1/00
S/666/8	Normally closed	Roller	Spring	0,30	QS/666/1/00
S/667/8	Normally open	Roller	Spring	0,30	QS/667/1/00
S/666/108	Normally closed	Roller	Spring	0,30	QS/666/1/00
S/666/48	Normally closed	One-way Trip	Spring	0,30	QS/666/48/00
S/667/48	Normally open	One-way Trip	Spring	0,30	QS/667/48/00
S/666/106	Normally closed	Rod	Spring	0,30	QS/666/1/00
S/666/116	Normally closed	Antenna	Spring	0,30	QS/666/1/00
S/666/126	Normally closed	Antenna	Spring	0,30	QS/666/1/00

Warning

These products are intended for use in industrial compressed air systems only. Do not use these products where pressures and temperatures can exceed those listed under 'Technical Data'.

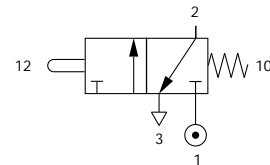
Before using these products with fluids other than those specified, for non-industrial applications, life-support systems, or other applications not within published specifications, consult NORGREN MARTONAIR.

Through misuse, age, or malfunction, components used in fluid power systems can fail in various modes. The system designer is warned to consider the failure modes of all component parts used in fluid power systems and to provide adequate safeguards to prevent personal injury or damage to equipment in the event of such failure.

System designers must provide a warning to end users in the system instructional manual if protection against a failure mode cannot be adequately provided.

System designers and end users are cautioned to review specific warnings found in instruction sheets packed and shipped with these products.

Plunger Actuated, Spring Return



Model Number: **S/666/14**

Type: 3/2 Normally closed

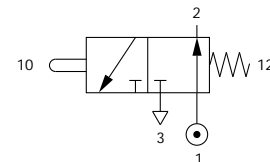
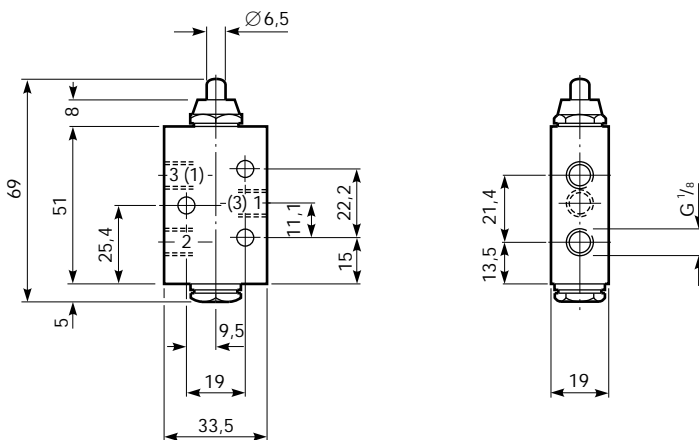
Operating Force: 35 N at 6,3 bar supply

Pre-travel: 0,8 mm closed top seat

Operating Travel: 0,8 mm open bottom seat

Over-travel: 1,5 mm

For use as a 2/2 valve the main supply must be connected to port '1' and the exhaust port '3' should be plugged.



Model Number: **S/667/14**

Type: 3/2 Normally open

Operating Force: 72 N at 6,3 bar supply

Pre-travel: 0,8 mm closed top seat

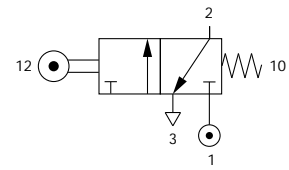
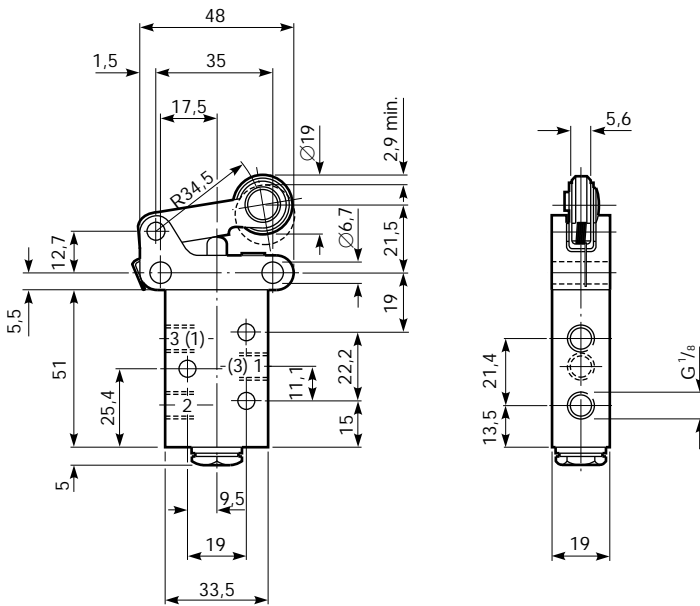
Operating Travel: 0,8 mm open bottom seat

Over-travel: 1,5 mm

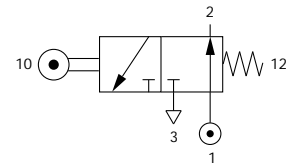
For use as a 2/2 valve the main supply must be connected to port '1' and the exhaust port '3' should be plugged.



Roller Actuated, Spring Return

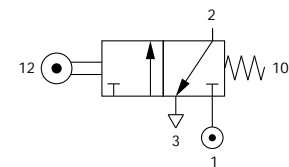
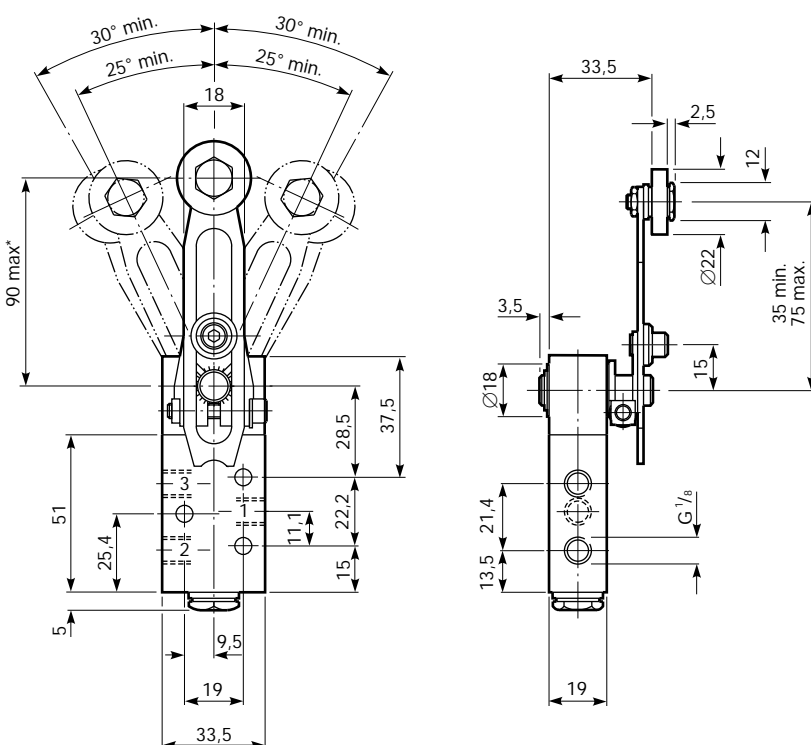


Model Number: **S/666/8**
 Type: 3/2 Normally closed
 Operating Force: 20 N at 6,3 bar supply
 Pre-travel: 1,4 mm closed top seat
 Operating Travel: 1,4 mm open bottom seat
 Over-travel: 2,2 mm
 For use as a 2/2 valve the main supply must be connected to port '1' and the exhaust port '3' should be plugged.



Model Number: **S/667/8**
 Type: 3/2 Normally open
 Operating Force: 40 N at 6,3 bar supply
 Pre-travel: 1,4 mm closed top seat
 Operating Travel: 1,4 mm open bottom seat
 Over-travel: 2,2 mm
 For use as a 2/2 valve the main supply must be connected to port '1' and the exhaust port '3' should be plugged.

Roller Variable Actuated, Spring Return

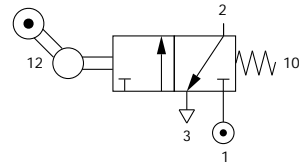
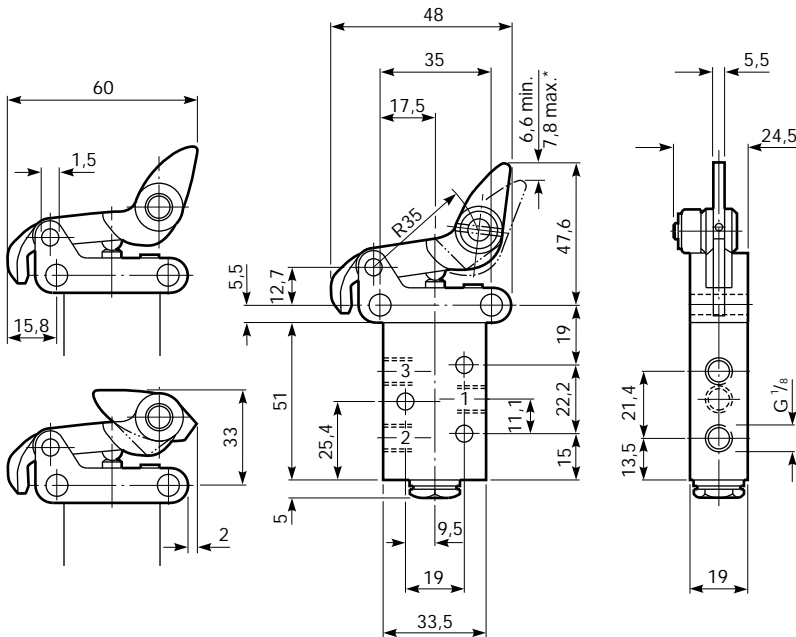


Model Number: **S/666/108**
 Type: 3/2 Normally closed
 Operating Torque: 0,25 Nm at 6,3 bar supply
 Mechanism may be operated either side of centre line.
 When the valve is mounted horizontally, the roller is recommended to be positioned on the upper face of the arm.
 For use as a 2/2 valve the main supply must be connected to port '1' and the exhaust port '3' should be plugged.

*Alternative position

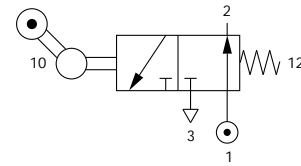


One-way Trip Actuated, Spring Return



Model Number: **S/666/48**
Type: 3/2 Normally closed
Operating Force: 18 N at 6,3 bar supply
Minimum Travel: 6,6 mm
Maximum Travel: 7,8 mm including over-travel
For use as a 2/2 valve the main supply must be connected to port '1' and the exhaust port '3' should be plugged.

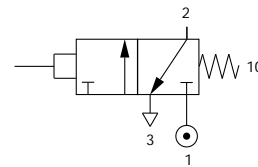
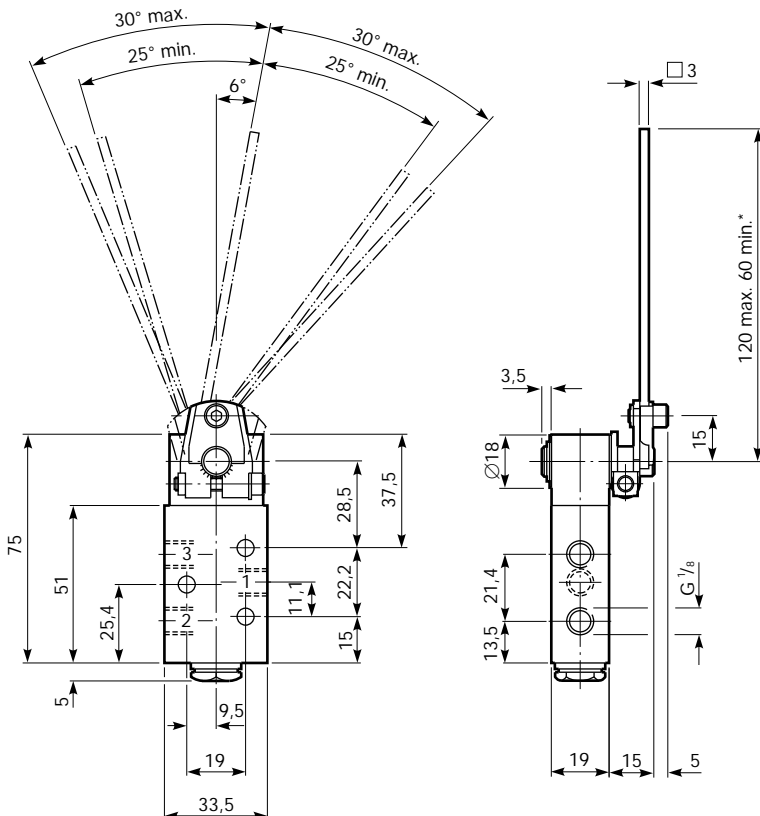
*Includes overtravel



Model Number: **S/667/48**
Type: 3/2 Normally open
Operating Force: 40 N at 6,3 bar supply
Minimum Travel: 6,6 mm
Maximum Travel: 7,8 mm including over-travel
For use as a 2/2 valve the main supply must be connected to port '1' and the exhaust port '3' should be plugged.

*Includes overtravel

Variable Rod Actuated, Spring Return

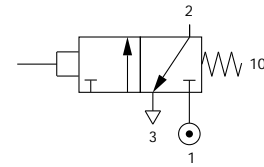
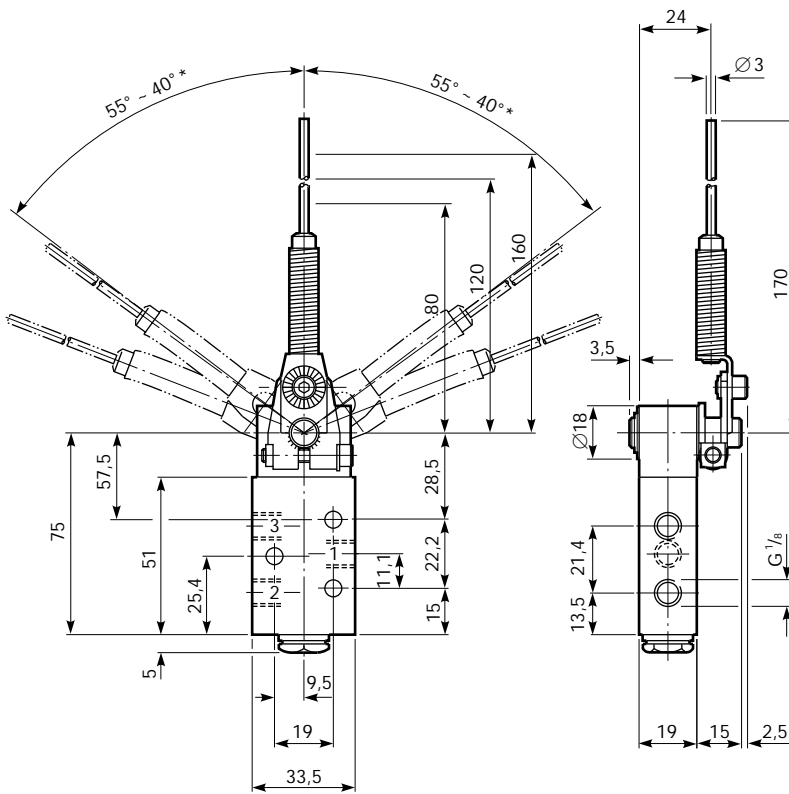


Model Number: **S/666/106**
Type: 3/2 Normally closed
Operating Torque: 0,25 Nm at 6,3 bar supply
Mechanism may be operated either side of centre line.
For use as a 2/2 valve the main supply must be connected to port '1' and the exhaust port '3' should be plugged.

*Recommended

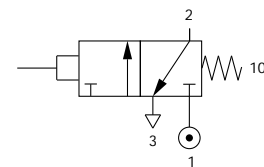
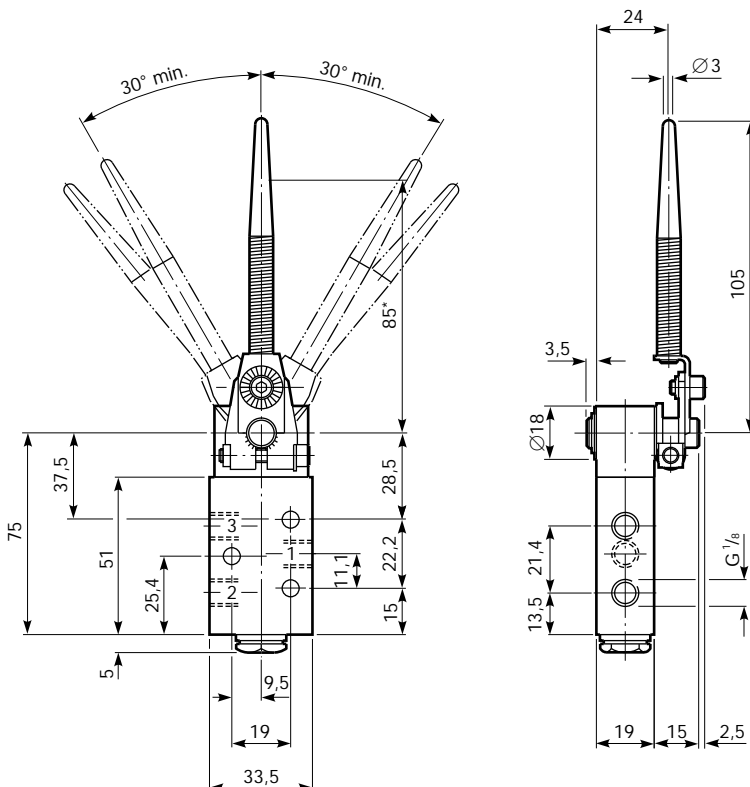


Antenna Spring Actuated, Spring Return



Model Number: **S/666/116**
 Type: 3/2 Normally closed
 Operating Torque: 0,25 Nm at 6,3 bar supply
 *Rotation at Point of Application: 40° minimum @ 80 mm
 50° minimum @ 120 mm
 55° minimum @ 160 mm
 Mechanism may be operated either side of centre line.
 For use as a 2/2 valve the main supply must be connected to port '1' and the exhaust port '3' should be plugged.

Antenna Spring Rod Actuated, Spring Return



Model Number: **S/666/126**
 Type: 3/2 Normally closed
 Operating Torque: 0,25 Nm at 6,3 bar supply
 *Point of Application: 85 mm
 Mechanism may be operated either side of centre line.
 For use as a 2/2 valve the main supply must be connected to port '1' and the exhaust port '3' should be plugged.